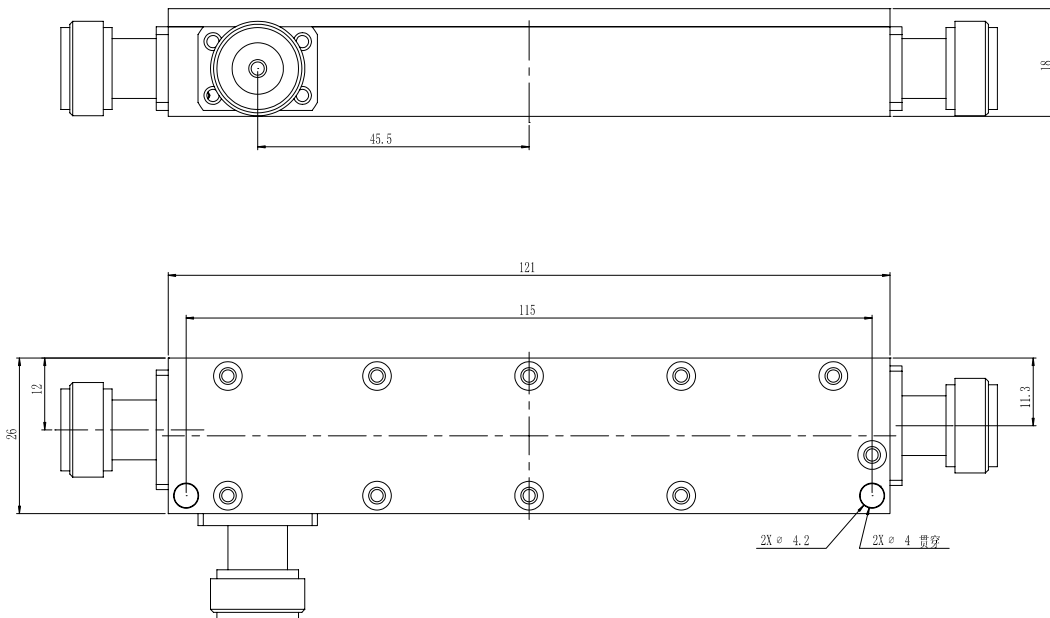


6dB Power Coupler

- 1、 Part Number : **PW-1475-6-N**
- 2、 Product Name: 6dB Coupler
- 3、 Specifications:

Frequency Range (MHz)	470~2500
Coupling(dB)	6.0
Ripple in-band(dB)	$\leq \pm 1.0$
Insert Loss(dB)	≤ 2.0
Directivity(dB)	≥ 15
Return Loss(dB)	≥ 18
Impedance(Ω)	50
Connectors	N-F
Power Rating(W)	50
Temperature($^{\circ}\text{C}$)	-25 to +55
Size(mm)	121 \times 26 \times 18
Weight(kg)	0.20

- 4、 Dimension:

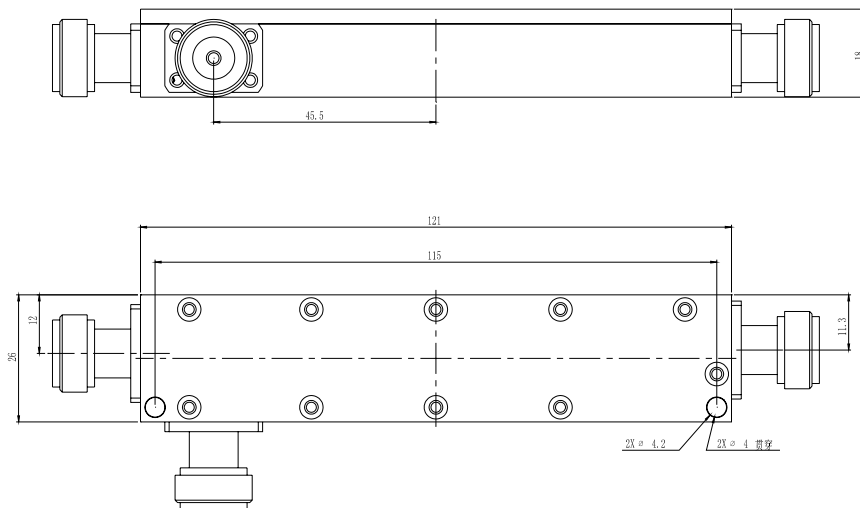


8dB Power Coupler

- 1、 Part Number : **PW-1475-8-N**
- 2、 Product Name: 8dB Power Coupler
- 3、 Specifications:

Frequency Range (MHz)	470~2500
Coupling(dB)	8.0
Ripple in-band(dB)	$\leq \pm 1.0$
Insert Loss(dB)	≤ 1.5
Directivity(dB)	≥ 15
Return Loss(dB)	≥ 18
Impedance(Ω)	50
Connectors	N-F
Power Rating(W)	50
Temperature($^{\circ}\text{C}$)	-25 to +55
Size(mm)	121 \times 26 \times 18
Weight(kg)	0.20

- 4、 Dimension:

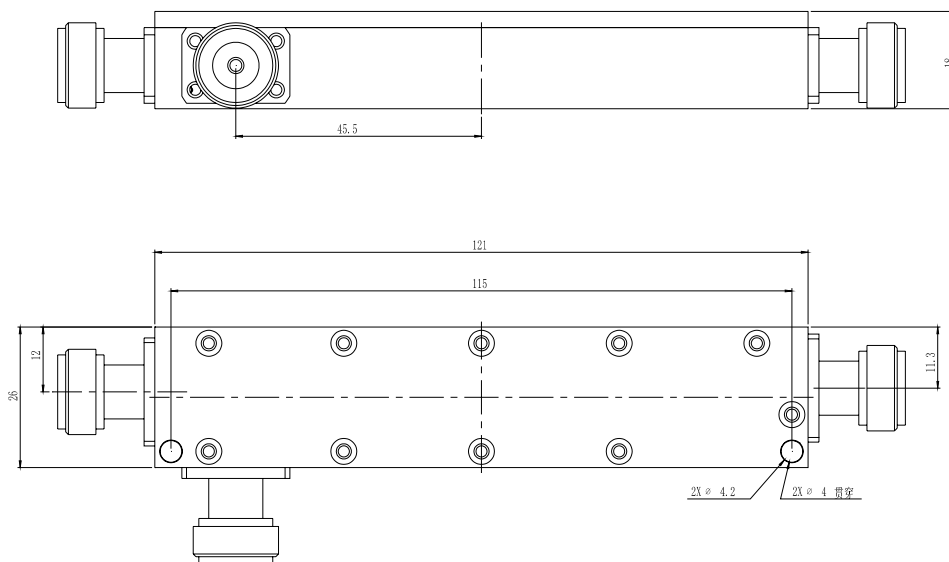


10dB Power Coupler

- 1、 Part Number : **PW-1475-10-N**
- 2、 Product Name: 10dB Power Coupler
- 3、 Specifications:

Frequency Range (MHz)	470~2500
Coupling(dB)	10.0
Ripple in-band(dB)	$\leq \pm 1.0$
Insert Loss(dB)	≤ 1.1
Directivity(dB)	≥ 15
Return Loss(dB)	≥ 18
Impedance(Ω)	50
Connectors	N-F
Power Rating(W)	50
Temperature($^{\circ}\text{C}$)	-25 to +55
Size(mm)	121×26×18
Weight(kg)	0.20

4、 Dimension:

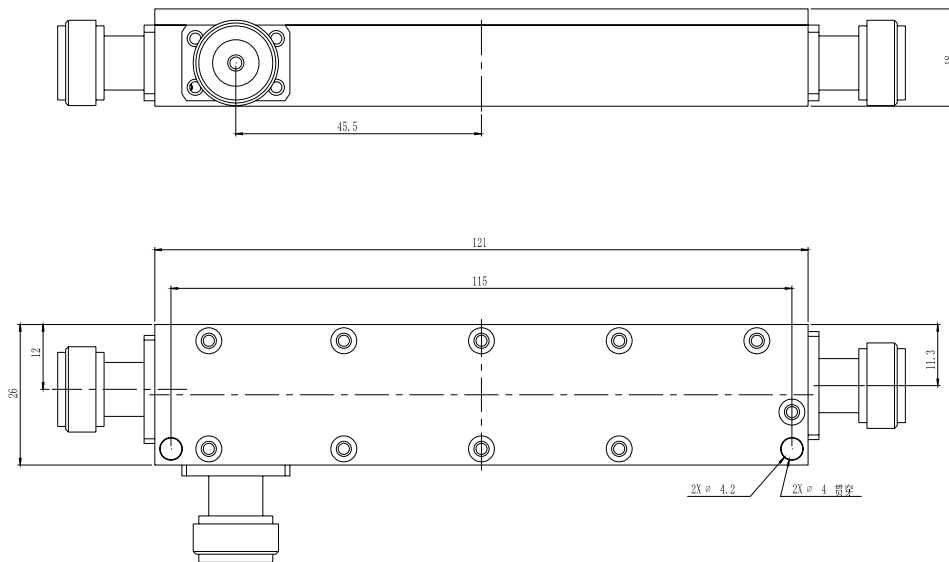


13dB Power Coupler

- 1、 Part Number : **PW-1475-13-N**
- 2、 Product Name: 13dB Power Coupler
- 3、 Specifications:

Frequency Range (MHz)	470~2500
Coupling(dB)	13.0
Ripple in-band(dB)	$\leq \pm 1.5$
Insert Loss(dB)	≤ 0.9
Directivity(dB)	≥ 15
Return Loss(dB)	≥ 18
Impedance(Ω)	50
Connectors	N-F
Power Rating(W)	50
Temperature($^{\circ}\text{C}$)	-25 to +55
Size(mm)	121 \times 26 \times 18
Weight(kg)	0.20

4、 Dimension:

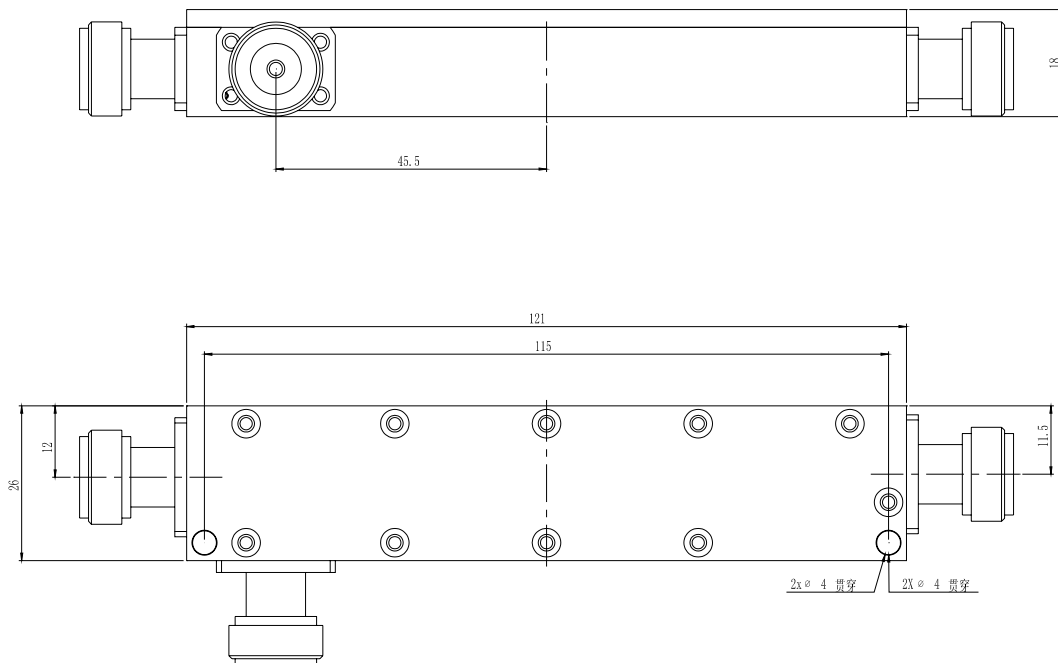


15dB Power Coupler

- 1、 Part Number : **PW-1475-15-N**
- 2、 Product Name: 15dB Power Coupler
- 3、 Specifications:

Frequency Range (MHz)	470~2500
Coupling(dB)	15.0
Ripple in-band(dB)	$\leq \pm 1.5$
Insert Loss(dB)	≤ 0.7
Directivity(dB)	≥ 15
Return Loss(dB)	≥ 18
Impedance(Ω)	50
Connectors	N-F
Power Rating(W)	50
Temperature($^{\circ}\text{C}$)	-25 to +55
Size(mm)	121 \times 26 \times 18
Weight(kg)	0.20

4、 Dimension:



20dB Power Coupler

- 1、 Part Number : **PW-1475-20-N**
- 2、 Product Name: 20dB Power Coupler
- 3、 Specifications:

Frequency Range (MHz)	470~2500
Coupling(dB)	20.0
Ripple in-band(dB)	$\leq \pm 1.5$
Insert Loss(dB)	≤ 0.6
Directivity(dB)	≥ 15
Return Loss(dB)	≥ 18
Impedance(Ω)	50
Connectors	N-F
Power Rating(W)	50
Temperature($^{\circ}\text{C}$)	-25 to +55
Size(mm)	121×26×18
Weight(kg)	0.20

4、 Dimension:

