



### cavity filters...

Microdata Innovation AB's (MI) cavity filter designs are available in the frequency range of 400 MHz to 6 GHz. Our cavity filters offer the user very low insertion loss and steep roll-off and low IM figures.

### with precision...

The inhouse R&D filter design group offers machine tooling of the cavity housing (of which the customer can influence shape and size) and verification of the filter performance in our advanced laboratory for electrical measurements.

### frequency range..

We ship diplexer filters and bandpass filters for:

- Inmarsat 1500 - 1700 MHz
- WiMAX 3400 - 3600 MHz
- GSM 900 / 1800 MHz
- WCDMA 2100 MHz
- Or made to specification
- All designs are available with integrated high performance TMAs

#### Electrical

Input voltage	20 - 60V DC, positive or negative
Input polarity protection	Automatic
Output voltage	12V DC
Output protection	Over current and over voltage
Number of supported TMA ports	6
Alarm	Three pin alarm with NC and NO contacts and individual LED indicator

#### Environmental & Standards

Temperature	-10 °C - +65 °C
EMC	EN 301 498-8
Environmental	EN 300 019
Safety	EN 60 590
Ingress protection	IP40

#### Mechanical

Size (WxHxD), wall mount	175x105x41 mm
1U 19" rack mount optional	
Weight	500 g
Connectors	TBD



## cavity filters...

Microdata Telecom Innovation AB's cavity filter designs are available in the frequency range of 400 MHz to 6 GHz. Our cavity filters offer the user very low insertion loss, and steep roll-off and low IM figures.

## with precision...

The inhouse R&D filter design group offers machine tooling of the cavity housing (of which the customer can influence shape and size) and verification of the filter performance in our advanced laboratory for electrical measurements.

## frequency range...

We ship diplexer filters and bandpass filters for:

- Inmarsat 1500 - 1700 MHz
- WiMAX 3400 - 3600 MHz
- GSM 900 / 1800 MHz
- WCDMA 2100 MHz
- Or made to specification
- All designs are available with integrated high performance LNAs

## Electrical Specifications

### Electrical

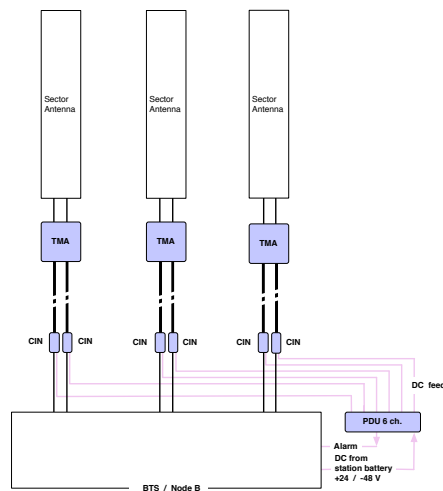
Input voltage	20 - 60V DC, positive or negative
Input polarity protection	Yes
Output voltage	12V DC
Output protection	Over current and over voltage
Number of supported TMA ports	6
Alarm	Three pin alarm with NC and NO contacts and individual LED indicator

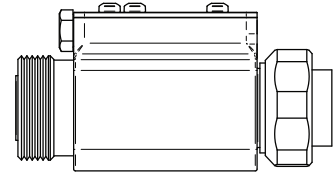
### Environmental & Standards

Temperature	-10 °C - +65 °C
EMC	EN 301 498-8
Environmental	EN 300 019
Safety	EN 60 590
Ingress protection	IP20

### Mechanical

Size (WxHxD), wall mount	218 x 125 x 43.5 mm
1U 19" rack mount optional	
Weight	500 g
Connectors	CIN 6 x SMB Male DC Molex Microfit 2 x 2 Alarm Molex Microfit 1 x 3





### cavity filters...

Microdata Innovation AB's (MI) cavity filter designs are available in the frequency range of 400 MHz to 6 GHz. Our cavity filters offer the user very low insertion loss and steep roll-off and low IM figures.

### with precision...

The inhouse R&D filter design group offers machine tooling of the cavity housing (of which the customer can influence shape and size) and verification of the filter performance in our advanced laboratory for electrical measurements.

### frequency range...

We ship diplexer filters and bandpass filters for:

- Inmarsat 1500 - 1700 MHz
- WiMAX 3400 - 3600 MHz
- GSM 900 / 1800 MHz
- WCDMA 2100 MHz
- Or made to specification
- All designs are available with integrated high performance TMAs

#### Electrical

Frequency range	824 - 2170 MHz
IL	0.1 dB
RL	20 dB
Max RF Power	500 W (57 dBm)
DC current	1.6 A
Intermodulation	-116 dBm @2x43 dBm
Isolation RF - DC	65 dB
Compliant with AISG type signalling	1 - 11 MHz

#### Environmental

Temperature	-40 °C - +65 °C
Ingress Protection	IP 44
Lightning Protection	10 kA 8/20 μs 3 kA 10/350 μs

#### Mechanical

Weight	0.3 kg
Size (WxHxD)	88x38x47 mm

#### Product numbers

	BTS	ANT	DC
MI-30101	7/16 M	7/16 F	SMB M
MI-30102	7/16 F	7/16 M	SMB M