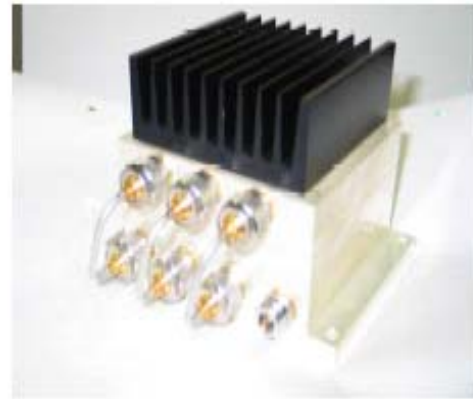


# Multi-Network COMBINER



## FEATURES

- **Wide 800 to 2700 Mhz Frequency Band**
- **High Power 100 Watts**
- **Small – 110 x 149 x 61mm incl mounting flange**  
Excluding heatsink or optional fans
- **No Tuning Required**
- **Rack or Wall Mountable Configuration**
- **Flexible Modular Low Cost Design**
- **Low Insertion Loss**
- **Intermodulation products minimized**

This fully Integrated Multi-Network Combiner Module was designed specifically for in-building applications. This combiner accepts up to 4 networks into a distributed antenna system and offers 4 identical RF output ports.

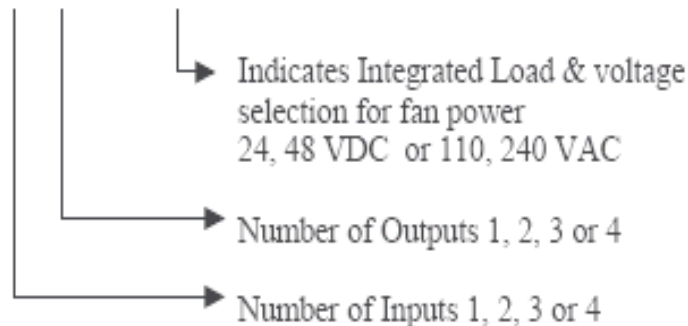
Particularly within in-building applications where power budget is a limiting factor, this combiner design directs all RF energy into the Distributed Antenna System instead of dissipating power through multiple stage loads. This solution allows multiple sectors to be combined into one single sector for better trunking efficiency and frequency planning.

The modules integrated design is configurable from 1 to 4 inputs and from 1 to 4 outputs. Unused input ports are broadband terminated using low power loads, unused output ports must also be broadband terminated using high power 100 watt loads to assure optimum performance. Installation is easy, the combiner is provided with a robust mounting flange, ideal for wall mounting. All ports are low IM Female N connectorized and are easy to access.

Part Number Configuration

Issue 3-01/04

**PW – 074 – 1 – 2 – IL 48 V DC**



**PW – 074 – 4 – 4** → = 4 Inputs, 4 Outputs ... NO LOADS\*

|                   |  |
|-------------------|--|
| Frequency Range   | 800 to 2700 Mhz                                  |
| Isolation         | 20dB Min Adjacent ports, 30dB Min Non-Adjacent   |
| Return Loss       | 20dB Min   |
| Transmission Loss | 6.5dB +/- 1.0dB Typical                          |
| Insertion Loss    | 1dB Typical (included in transmission loss spec) |
| Power             | 100 Watts  |
| Impedance         | 50 Ohms  |
| Connector Type    | N Low IM Female connectors 4 Inputs & 4 Outputs  |

This is a 4 Input / 4 Output Combiner Network –  
 Any UNUSED PORTS MUST BE TERMINATED.

Unused Input Ports will be factory terminated with Medium power Loads  
 Unused Output Ports will be factory terminated to our Integrated High Power 3 in 1 Load.

This is our standard configuration. Should you wish to use an Input or Output port later in the products life use, you simply only need to remove the loads to add a telecommunication's carrier to the Input and/or add another antenna to the combiners output up to a total of 4 input and 4 outputs.

\* Should you choose to either use all 4 inputs and 4 outputs or supply your own loads the combiners order code would simply be **PW-074-4-4**

The integrated 3 in 1 high Power Load is supplied complete with a cooling fan.  
 This fan must be operational 100% of the time to assure that the load does not overheat.

MECHANICAL OUTLINE

Mechanical outline shown for standard 4 input / 4 output Multi Network Combiner  
 Please contact the factory for drawings showing integrated load and fan assemblies.

