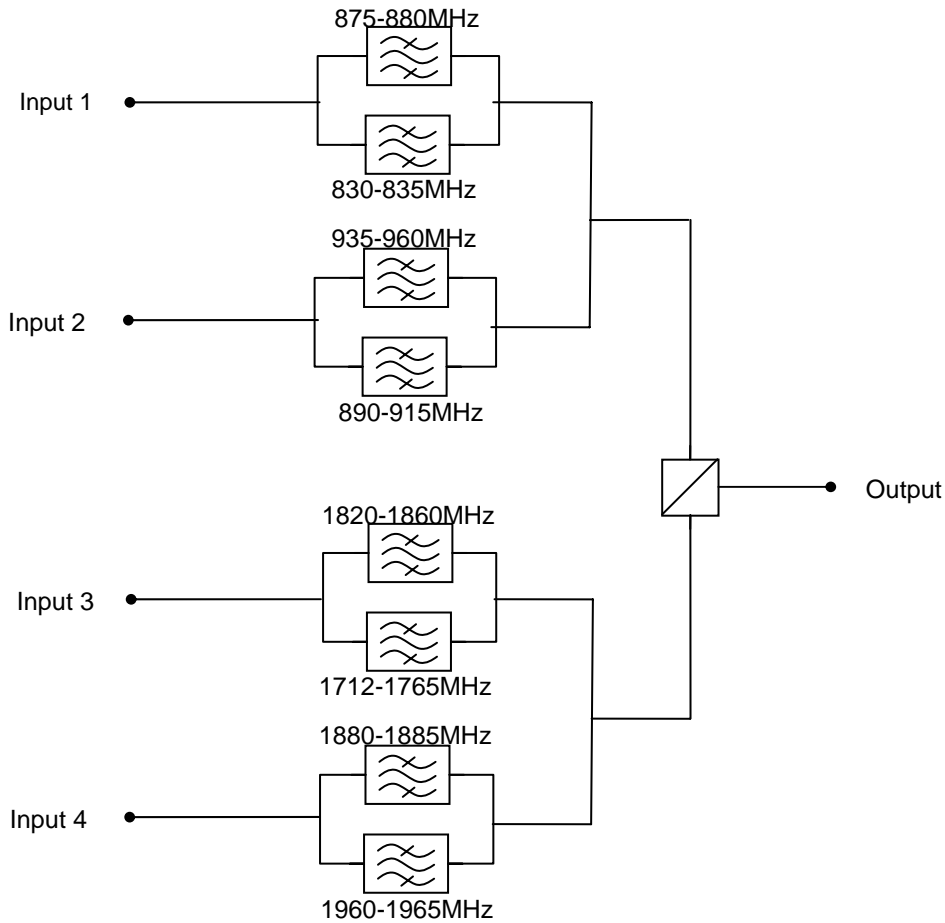


Type 4 Combiner



Specification	
Power	100W
Insertion Loss	900MHz : 1.5dB Typically 1800MHz : 1.7dB Typically
Rejection	900/1800 >80dB Input 1 / Input 2 >65dB Input 3 / Input 4 >65dB
VSWR Input Only	1.3:1
Intermodulation	-150dBc
Temperature Range	-20 to +55 Degrees Centigrade
Impedance	50 Ohms
Connectors	7/16 DIN
Rack Mount Wall Mount	4U 600mm x 400mm x 260mm