

	Single Band Mini Booster For CDMA 800MHz or GSM 900MHz or DCS1800MHz or UMTS 2100MHz	Code : PW-MB10-Series		
		Rev 1	Issued 27/03/2009	Page 1/3

Single Band +10dBm Mini Booster (MB10 SERIES)

> Introduction

Mini Booster is an ideal solution to provide a cost effective improvement in cellular coverage up to 100-300 m2, such as home, small office, VIP room, shop or restaurant.

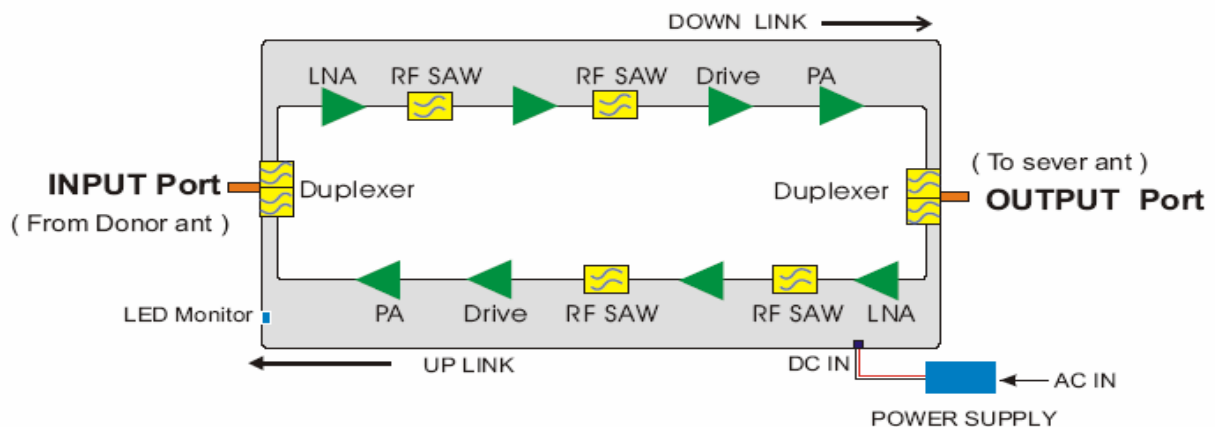


- Compact Design & Light Weight make it easy to install.
- Simple maintenance with LED Indication as operation status.
- Wideband (at its frequency band) feature enables to provide indoor coverage from Multi Cellular Operator.
- Support up to 30 users/calls simultaneously.
- Better Signal Performance will extend Handset Battery Life.
- A fast & instant solution to achieve customer satisfaction.
- Low Electrical Power Consumption (18 Watt)

Application



Block Diagram



	Single Band Mini Booster For CDMA 800MHz or GSM 900MHz or DCS1800MHz or UMTS 2100MHz	Code : PW-MB10-Series		
		Rev 1	Issued 27/03/2009	Page 2/3

Specification

Description		Frequency Range	
Booster Model	Band	UPLINK	DOWN LINK
PW-MB10-800	CDMA800	824~849MHz	869~894MHz
PW-MB10-900	GSM 900	890~915 MHz	935~960 MHz
PW-MB10-1800	DCS 1800	1710 ~1775 MHz	1805~1870 MHz
Band Width	CDMA800	25Mhz	
	GSM 900	25Mhz	
	DCS 1800	65Mhz	
Max Gain		$\geq 55-60$ dB	
Gain Flatness	CDMA800	8 dB	
	GSM 900	8 dB	
	DCS 1800	10 dB	
Manual Gain Control/MGC		>15 dB	
Maximum Input Power		0dBm	
Output Power		UL ≥ 5 dBm, DL ≥ 10 dBm	
Inter-modulation		9KHz~1GHz ≤ -36 dBm 1GHz~12.75GHz ≤ -30 dBm	
Spurious Emission		9KHz~1GHz ≤ -36 dBm 1GHz~12.75GHz ≤ -30 dBm	
Noise Figure		≤ 5 dB	
Group Delay		≤ 0.5 micro Sec	
Impedance		50 Ω	
Power Supply		Transformer : Input 220VAC, 50Hz, Output 9Volt / 2Amp	
Operating Temperature		-10 to +50 $^{\circ}$ C	
RF Connector / Environment		SMA (Female) / IP 40	
Dimension / Weight		183*128* 45.5mm / ≤ 1 Kg	
LED Indicators			
Power ON/ OFF		ON/ OFF	
Input Singnal Levels		-50 dBm or more	
Normal		At the edge of green and orange	
Low		Green	
High		$>1-5$ dB range: Orange; >20 dB: Red	

	Single Band Mini Booster For CDMA 800MHz or GSM 900MHz or DCS1800MHz or UMTS 2100MHz	Code : PW-MB10-Series		
		Rev 1	Issued 27/03/2009	Page 3/3

Specification

Booster Model : PW-MB10-2100	UPLINK	DOWN LINK
Frequency Range	1920~1970MHz	2110~2170MHz
Band Width	60MHz	
Max Gain	≥ 55dB	
Gain Flatness	6-8dB	
MANUAL Gain Control (MGC)	>15dB	
Maximum Input Power	0dBm	
Output Power	UL ≥5dBm, DL ≥10dBm	
Inter-modulation	Complies with 3GPP TS 25.106	
Spurious Emission Mask	Complies with 3GPP TS 25.106	
Spurious Emission	Complies with 3GPP TS 25.106	
Modulation Accuracy	Complies with 3GPP TS 25.106	
Peak Code Domain Error	Complies with 3GPP TS 25.106	
ACRR	≥30dB @±5MHz&±10MHz	
Frequency Stability	≤0.01ppm	
Noise Figure	≤5dB	
Group Delay	≤0.5 micro Sec	
Impedance	50 Ω	
Electrical Power Supply	Transformer : Input 220VAC, 50Hz, Output 9Volt / 2Amp	
Operating Temperature	-10 to +50°C	
RF Connector / Environment	SMA (Female) / IP 40	
Dimension / Weight	183*128* 45.5mm / ≤1Kg	
LED Indicators		
Power ON/ OFF	ON/ OFF	
Input Signal Levels	-45 to -50 dBm or more	
Normal	At the edge of green and orange	
Low	Green	
High	>1-5dB range: Orange; >20dB: Red	