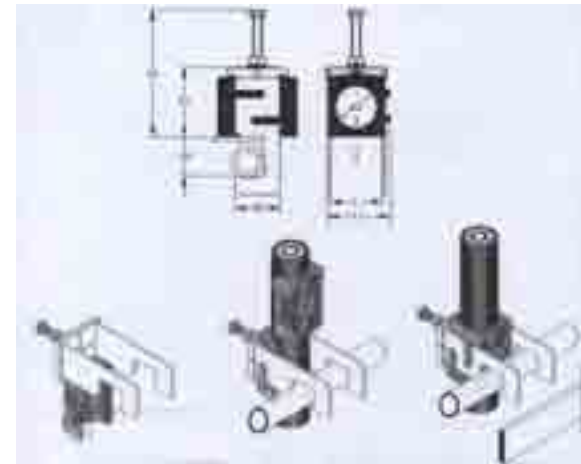


# 7/8" Clamps

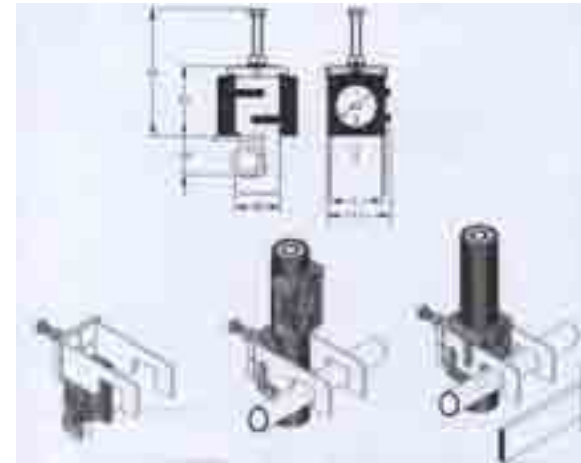
RFM	1 x 7/8 (single)	2 x 7/8 (double)
D	27 - 28	27 - 28
L	34	34
L1	41	41
H1	46	87
H2	74	112
Weight	130g	200g



Material :  
Stainless Steel; Fiberglass P.A. UV resisitant

# 1 1/4" Clamps

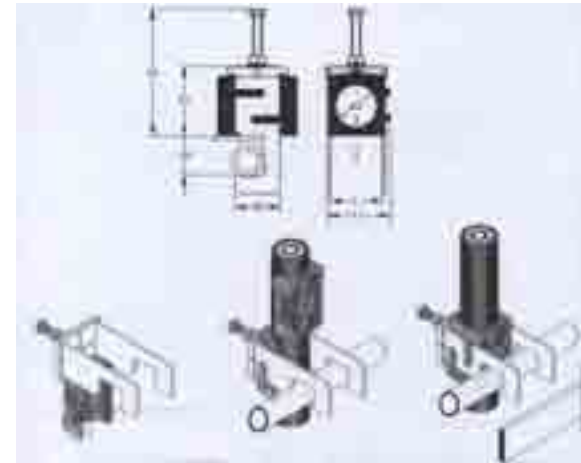
RFM	1 x 1 1/4 (single)	2 x 1 1/4 (double)
D	39 - 40	39 - 40
L	46	46
L1	53	53
H1	58	111
H2	92	143
Weight	184g	286g



Material :  
Stainless Steel; Fiberglass P.A. UV resisitant

# 1 5/8" Clamps

RFM	1 x 1 5/8 (single)	2 x 1 5/8 (double)
D	50 - 52	50 - 52
L	58	58
L1	65	65
H1	72	137
H2	105	169
Weight	226g	354g



Material :  
Stainless Steel; Fiberglass P.A. UV resisitant