

E1-4 Ethernet Interface Converter

FUNCTIONS

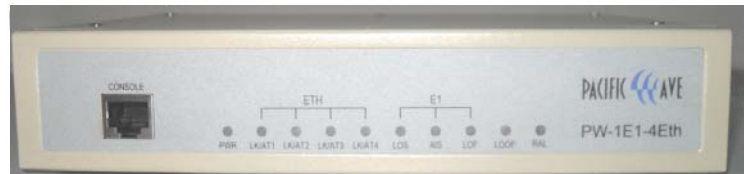
The E1-4 Ethernet Converter is a device for transmitting Ethernet traffic through an E1 link.

E1-4 Ethernet Interface Converter consists of two parts:

1. Uplink Port: E1 Network Bridge
2. High performance, Self-adapting Remote Ethernet Switch.

The Switch is Self Adapting for LAN extension (straight or crossed cable connection).

The bridge continuously learns the LAN MAC address present, and passing only relevant traffic to the other side of the bridge.



FEATURES

➤	Supports 1600 long packets at 1600
➤	Supports ISL (Interior Switching Link) protocol.
➤	10M/half duplex, 10M/full duplex, 100M/half duplex, 100M full/duplex and auto negotiation (self-adapting) are options.
➤	E1 impedance for 75 ohms and 120 ohms are auto-negotiated
➤	Supports the local loop, loop from the local to remote and pseudo-random code detection.
➤	Automatically detects and configures the twisted pair port on the converter (for straight or crossed cable connection)
➤	Support 1-4 Ethernet interface switching.
➤	Can set channel isolation at switch-able Ethernet port.
➤	Can set packet length at Ethernet interface.
➤	Frame forward rate: <ul style="list-style-type: none"> ➤ 10Mb/s : 14,800 pps at most ➤ 100Mb/s: 148,810 pps at most
➤	LINKDOWN self-check function is available

SPECIFICATIONS

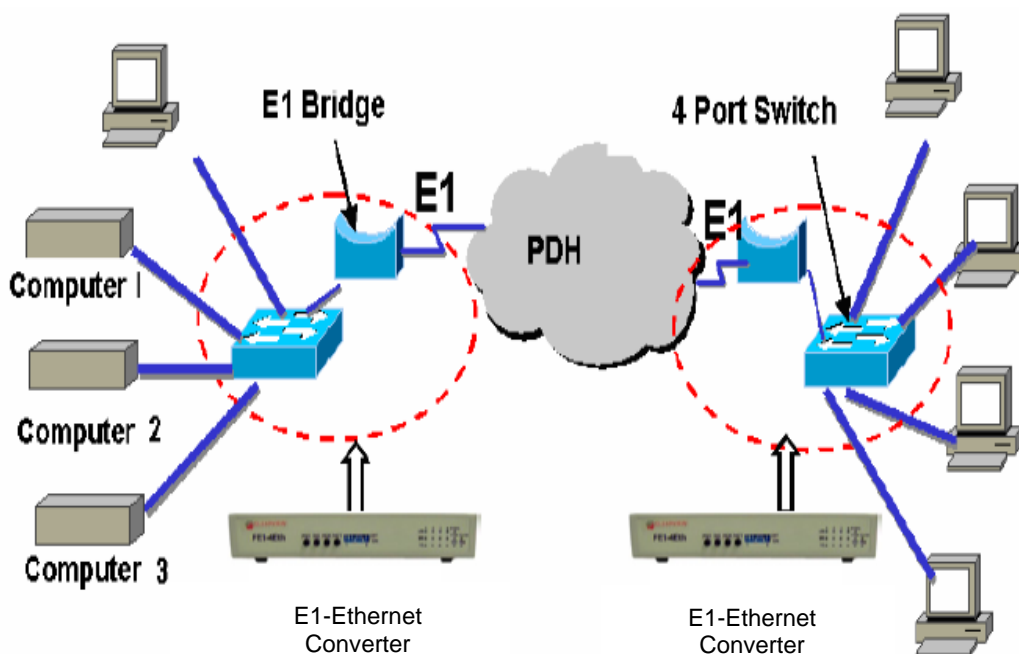
Ethernet Port	10M / 100M Self adapting
Data Rate	2.048 Mbit/s \pm 50ppm
E1 Impedance	75 ohms Unbalanced or 120 ohms Balanced

WORKING ENVIRONMENT

Input Voltage	AC 180V, 240V DC -48V, +24V	Power supply voltage (AC or DC) must be chosen before placing order
Power Consumption	< 5W	
Working Temperature	0 to + 50 degrees C	
Storage Temperature	- 40 to + 70 degrees C	
Relative Humidity	< 95 %	

NOTE: This unit should be operated in a low dust environment in a location that is free from high electromagnetic interface.

APPLICATION



Available protocol converters: 4E1 to 4Eth / 8E1 to 4Eth / Digital Cross Connect DXC16 or MUX-35