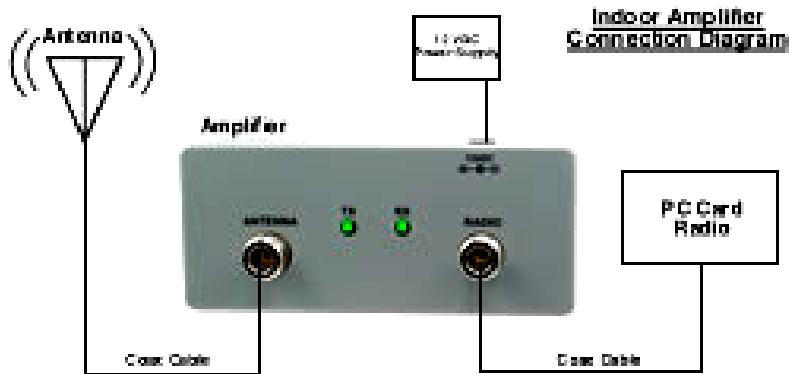
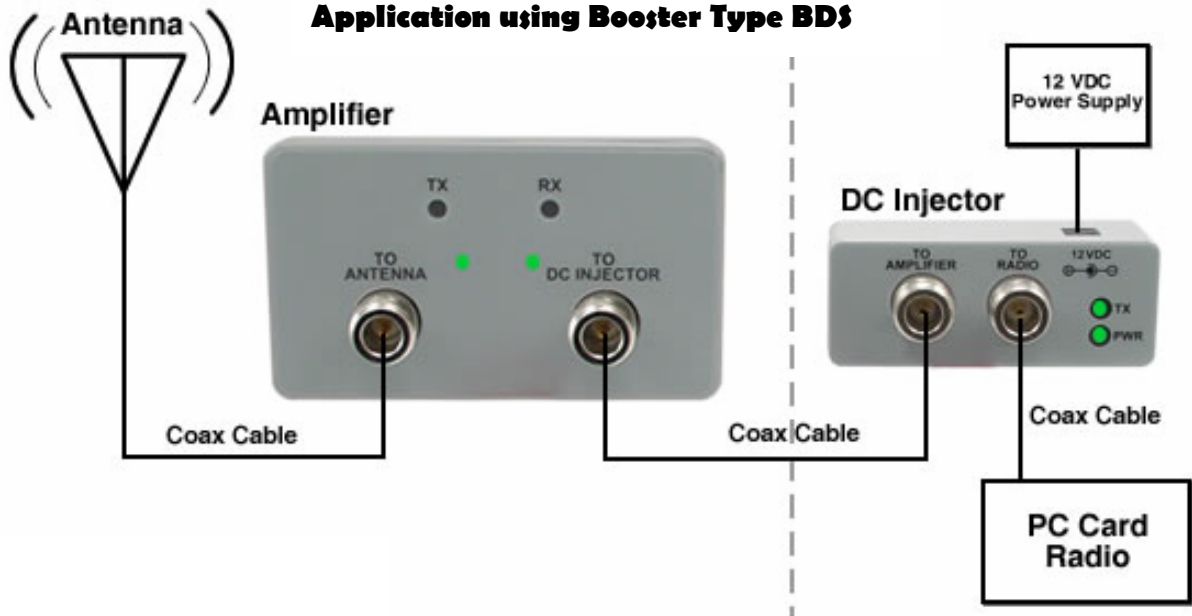


Traditional Application :

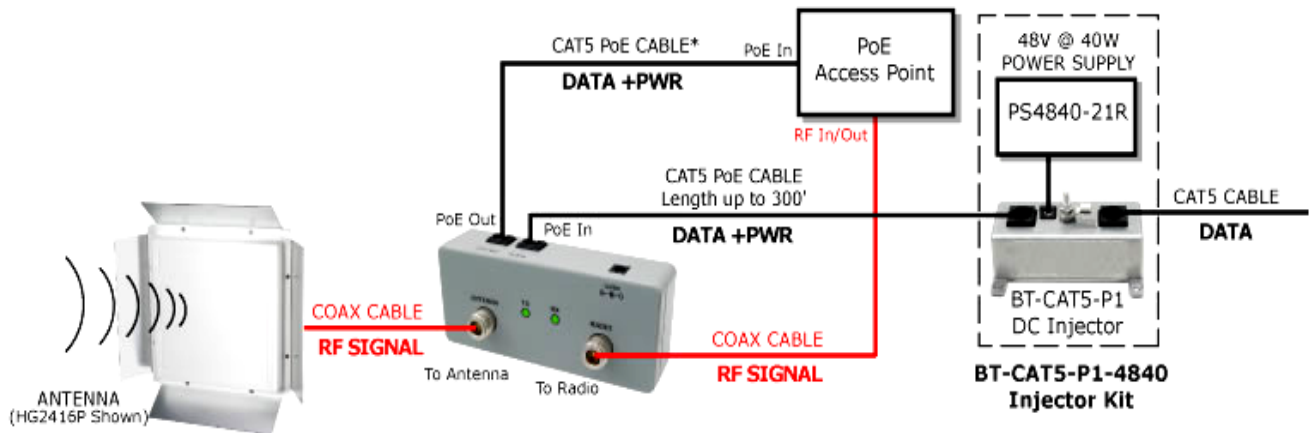
Application Using Booster Type GXI



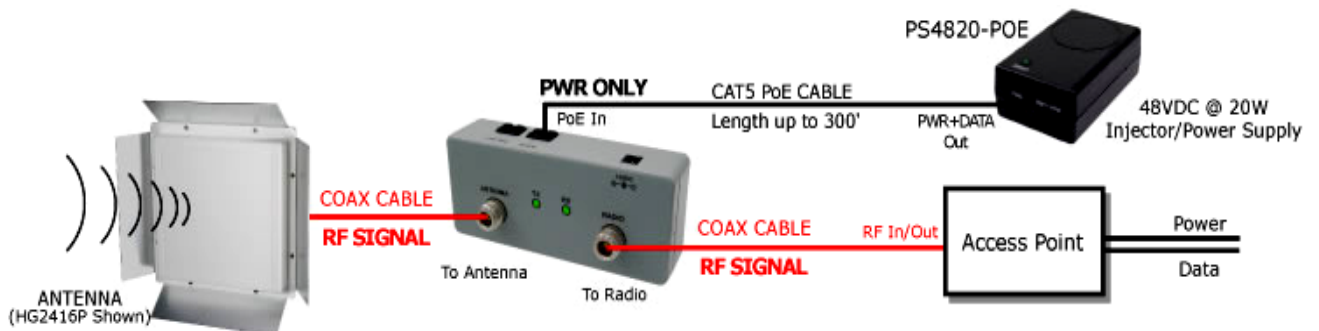
Application using Booster Type BD5



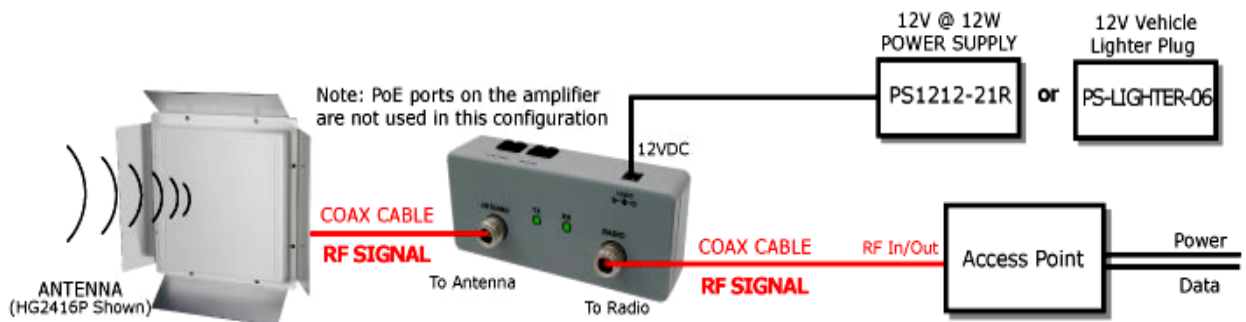
New Concept : using POE



Powering the Amplifier and Access Point using a Single PoE Ethernet Cable
 This application uses the amplifier's PoE pass-through feature.



Powering the Amplifier using it's own Dedicated 48V PoE Line



Powering the Amplifier Directly with 12VDC Power Supply or Vehicle Power