

High Gain Yagi Antenna (Code: PW-HGY-450/470-12)

FEATURES :

- Special designed for CDMA 450 MHz
- Input Power 100 Watts Max
- Low Cost – Small, Light Weight & Easy to Install
- TNC or N female Connectors

Specifically designed for Signal Coverage of the CDMA 450Mhz cellular communications signal. The antenna is constructed from lightweight materials suitable for pole mounting.

Specifications

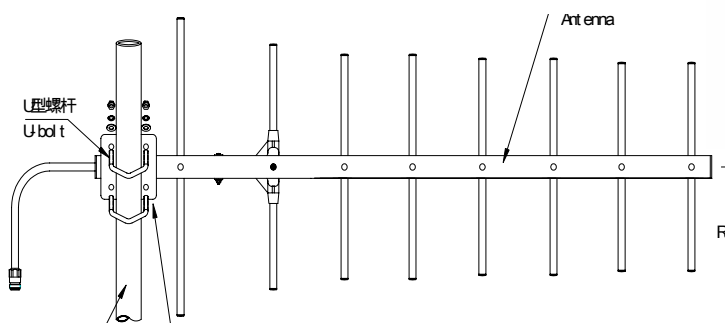
Electrical Specification :

Frequency Range	450-470Mhz
Gain	12dBi
VSWR	<1.5
Impedance	50 Ohm
Polarization	Vertical
Horizontal 3dB BW	52 ± 5 degree
Vertical 3dB BW	47 ± 5 degree
Front to back ratio	>15dB
Max Input Power	100 Watts
Connection Type	TNC or N female
Cable Type /Length	3D-FB / 15m

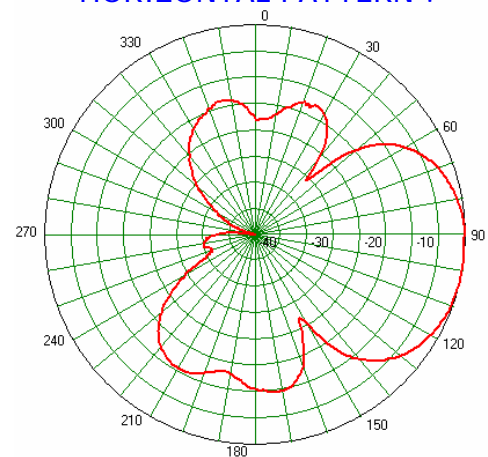
Mechanical Specification :

Dimensions	1160 mm x 340mm
Weight	1.9 Kg
Rated Wind Velocity	160Km/h
Lightning Protection	Direct Ground

Antenna Picture :



HORIZONTAL PATTERN :



VERTICAL PATTERN :

