

## Wideband High Gain Panel Antenna

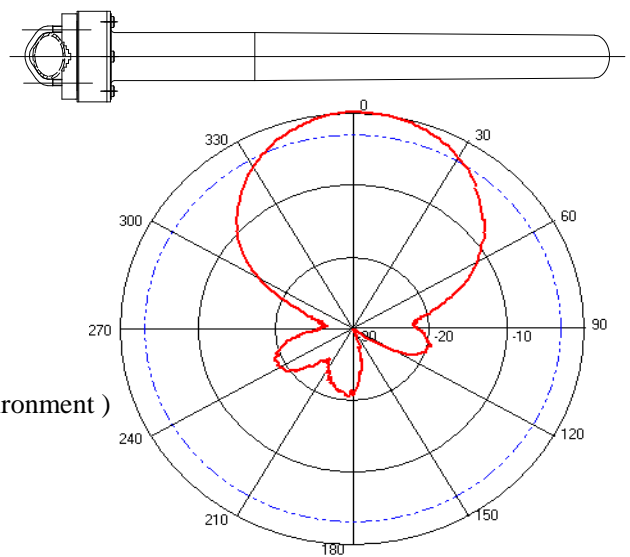
**Product Number : PW-HGP-820/2700**

### Electrical Specifications :

Frequency Range	800 MHz ~ 2700MHz
Gain 800MHz~ 960MHz	8.5dBi
960MHz~1700MHz	9.5dBi
1700MHz~2700MHz	11 dBi
Horizontal 3dB Beamwidth	43°~ 56°
Vertical 3dB Beamwidth	56°~ 78°
Front to Back Ratio	> 20dB
Side lobe level	<-20dB
Polarization	Vertical / Horizontal
Impedance	50Ω
VSWR	< 1.5
Maximum Input Power	100 W
Connector	N-female with Pigtail
Lightning Protection	Direct Grounding



Horizontal Polarization Pattern

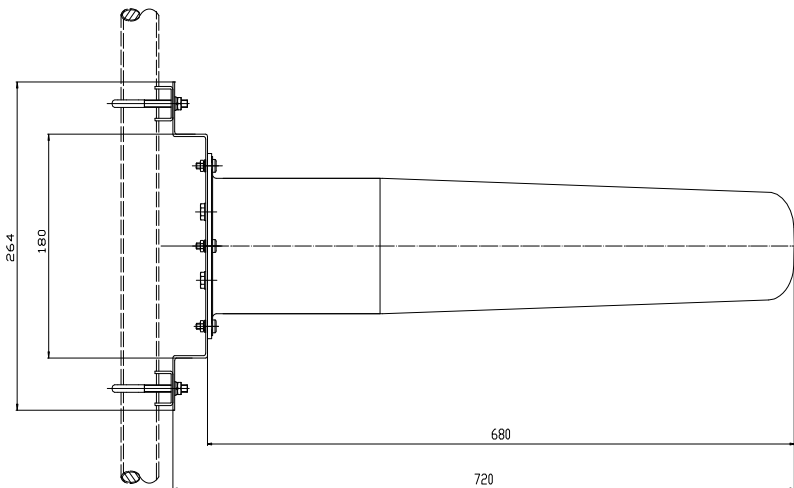
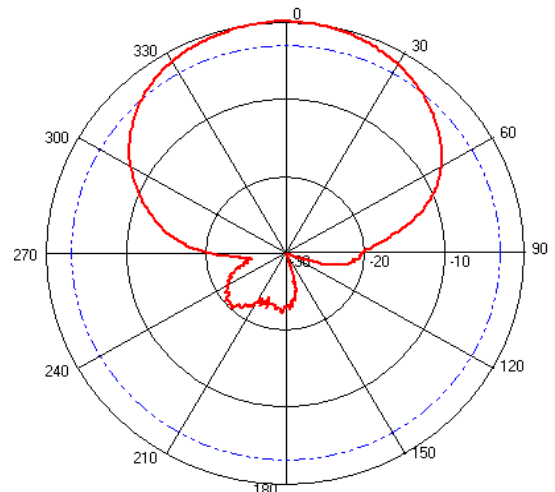


### Mechanical Specifications :

Dimensions (LxWxD)	500x220x60 mm
Weight of Antenna	2.0kg
Radome Material	Fiberglass

(This antenna is also applicable for installation at Outdoor Environment )

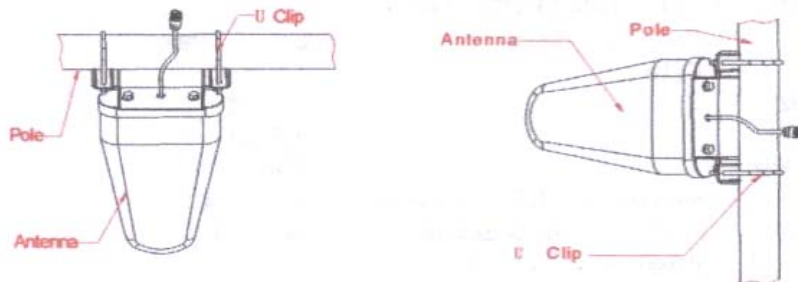
Vertical Polarization Pattern



## Installation Guide

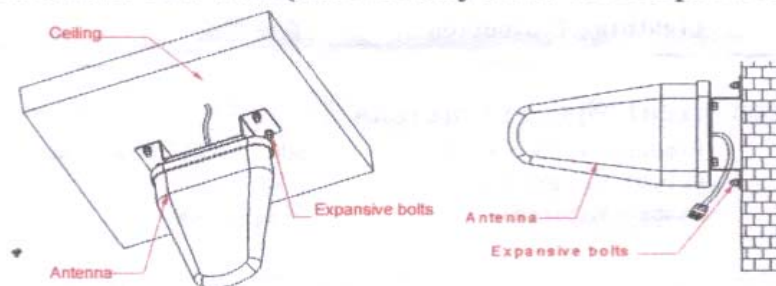
Three common installation methods are described by Figure 1-3.

1. Mounted on a pole. (With U type clip set.)



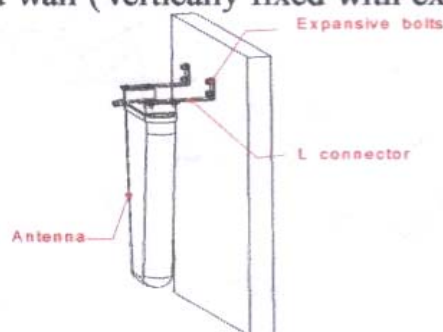
**Fig.1 For pole mounting in lift**

2. Mounted on a wall (Horizontally fixed with expansive bolts).



**Fig.2 For wall mounting in lift room or aisle**

3. Mounted on a wall (Vertically fixed with expansive bolts and L connector)



**Fig.3 For wall mounting in lift room**