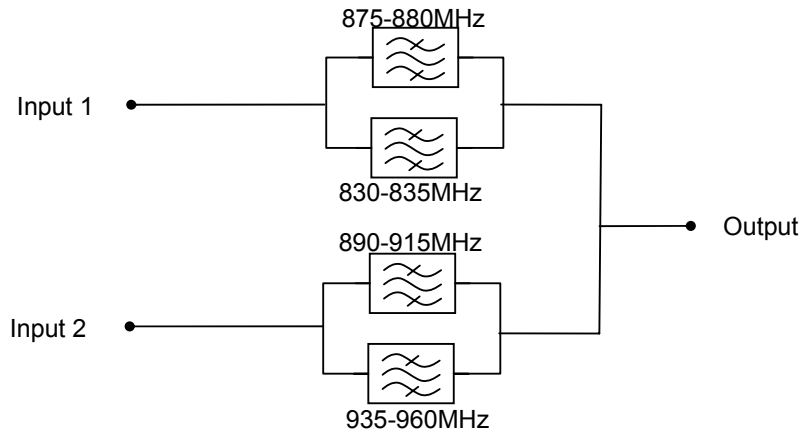


### Type 3 Combiner



<b>Specification</b>	
Power	100W
Insertion Loss	1.2dB Typically
Rejection	Input 1 / Input 2 >65dB
VSWR	1.2:1
Intermodulation	-150dBc
Temperature Range	-20 to +55 Degrees Centigrade
Impedance	50 Ohms
Connectors	7/16 DIN female
Rack Mount	2U
Wall Mount	300mm x 300mm x 200mm